

Stationary Outboard Motor Bracket - Installation Instructions Model T10048

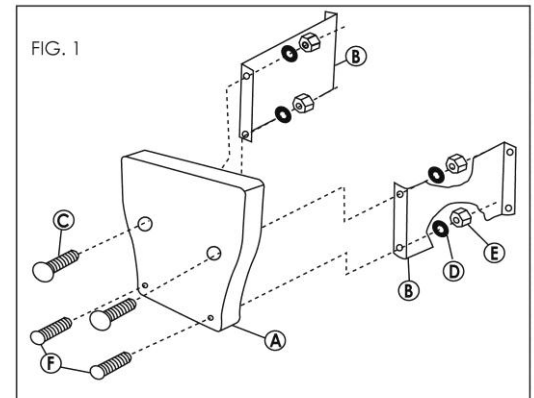
CAUTION

Do not exceed the bracket's weight limit of 150 lbs. Read instructions completely before assembly.

ASSEMBLY INSTRUCTIONS

Refer to Figure 1

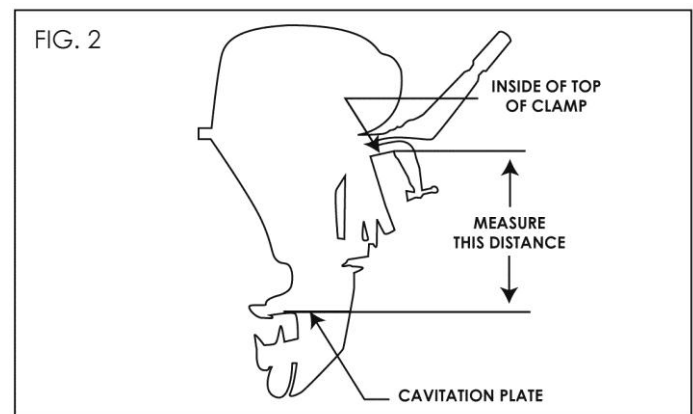
1. Attach board (A) to brackets (B) by inserting pan-head bolts (C) through the board's top two holes. Secure with washers (D) and nuts (E). Finger tighten only.
2. Slide carriage bolts (F) through the board and bracket holes as illustrated. Secure with washers (D) and nuts (E).
3. Secure the board in place by tightening all four fasteners.



INSTALLATION INSTRUCTIONS

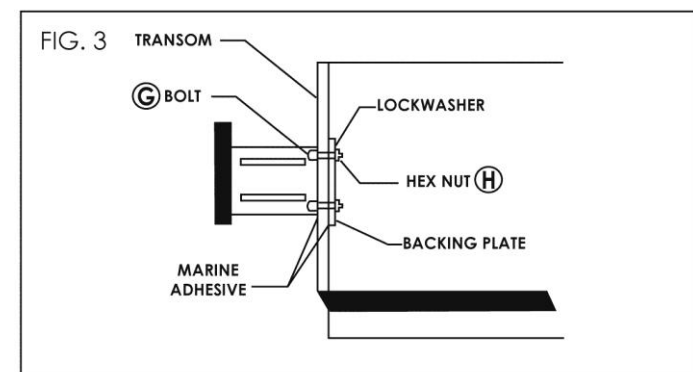
Refer to Figure 2

1. Measure the distance on your outboard motor between the cavitation plate and the upper inside edge of the mounting clamp. Subtract 2" from this length. This is the maximum height that your bracket should be installed above your boat's ACTUAL waterline with the motor weight on the boat.



Refer to Figure 3

2. Position your bracket so it will not interfere with the turning operation of your main motor or rudder. Mark the four hole locations using the bracket as a template.
3. Drill the four marked holes with a 3/8" bit, making sure to hold the drill at right angles to the transom.
4. If your transom is less than 2" thick, it is recommended that a backing plate be made and installed on the inside of the transom for added strength. Attach your motor bracket to the transom by coating the inside surfaces of the mounting flanges and backing plate with a marine adhesive/sealant compound and then squeeze a small amount into each bolt hole on both sides of the transom. Secure the bracket to the transom with the supplied hardware (screws (G) and nuts (H)). The bracket is now ready for the outboard motor installation. Follow your outboard motor installation instructions.



PARTS LIST

ITEM	DESCRIPTION	QTY.
A	Board	1
B	Stainless Steel (SS) Bracket	2
C	3/16" – 18 x 2 ½ " SS Pan Head Bolt	2
D	3/16" - SS Washer	4
E	3/16" – 18 SS Lock Nut	4
F	3/16" – 18 x 2 ½ " SS Carriage Bolt	2
G	3/16" – 18 x 3" SS Hex Head Bolt	4
H	3/16" – 18 SS Lock Nut	4

IMPORTANT RECOMMENDATIONS

- 1. This bracket is recommended for motors up to 20 HP, but not more than 150 lbs.**
- 2. Remove your motor from the bracket when trailering your boat.**
- 3. Use a motor safety cable to secure the motor to the boat.**
- 4. Periodically, check fasteners for tightness.**

LIMITED WARRANTY

This limited warranty is provided by TRAC Outdoor Products Co (TRAC) to the original consumer purchaser (purchaser) of the new (not refurbished) TRAC Outboard Motor Bracket. This limited warranty is not transferable to any other party. TRAC will at its option repair or replace any part of the TRAC Outboard Motor Bracket which may be found by TRAC to be defective within two (2) years of original purchase. TRAC does not pay for the shipping cost from original purchaser to TRAC. You will have to ship the items to us for repair or replacement. For warranty repair or replacement, the purchaser will provide dated proof of purchase (sales receipt) and promptly notify TRAC of the request for warranty action. The purchaser will notify TRAC by email at info@TRAC-Outdoor.net or by calling 615-641-2542 for warranty action. Purchasers will be provided a Return Goods Authorization (RGA) to include with return for warranty work which will be shipped at the purchaser's expense to the address provided. The purchaser must use reasonable care in maintenance and operation of the product in accordance with this manual. Failure to follow the instructions in the manual will void the warranty. This warranty covers defects in material or workmanship of the TRAC Outboard Motor Bracket only. This warranty does not cover failure that results from misuse, improper installation, accident, abuse, neglect, modification, or improper maintenance. There are no other express or implied warranties. Any damage to watercraft or trailer resulting from proper or improper use of this TRAC Outboard Motor Bracket is not covered under this warranty. Costs of installation or repair by service centers or marine repair facilities are not covered by this warranty. This is the exclusive remedy and any liability for any and all incidental or consequential damages or expenses whatsoever is excluded. Some states do not allow limitations on how long an implied warranty lasts, or do not allow exclusion or limitation of incidental or consequential damages, the above limitations may not apply to you. This limited warranty gives you specific legal rights, and you may also have other rights which vary from state to state.

TRAC Outdoor Products Co
6039 Dana Way
Antioch, TN 37013
www.trac-outdoor.com
info@trac-outdoor.com
(615) 641-2542